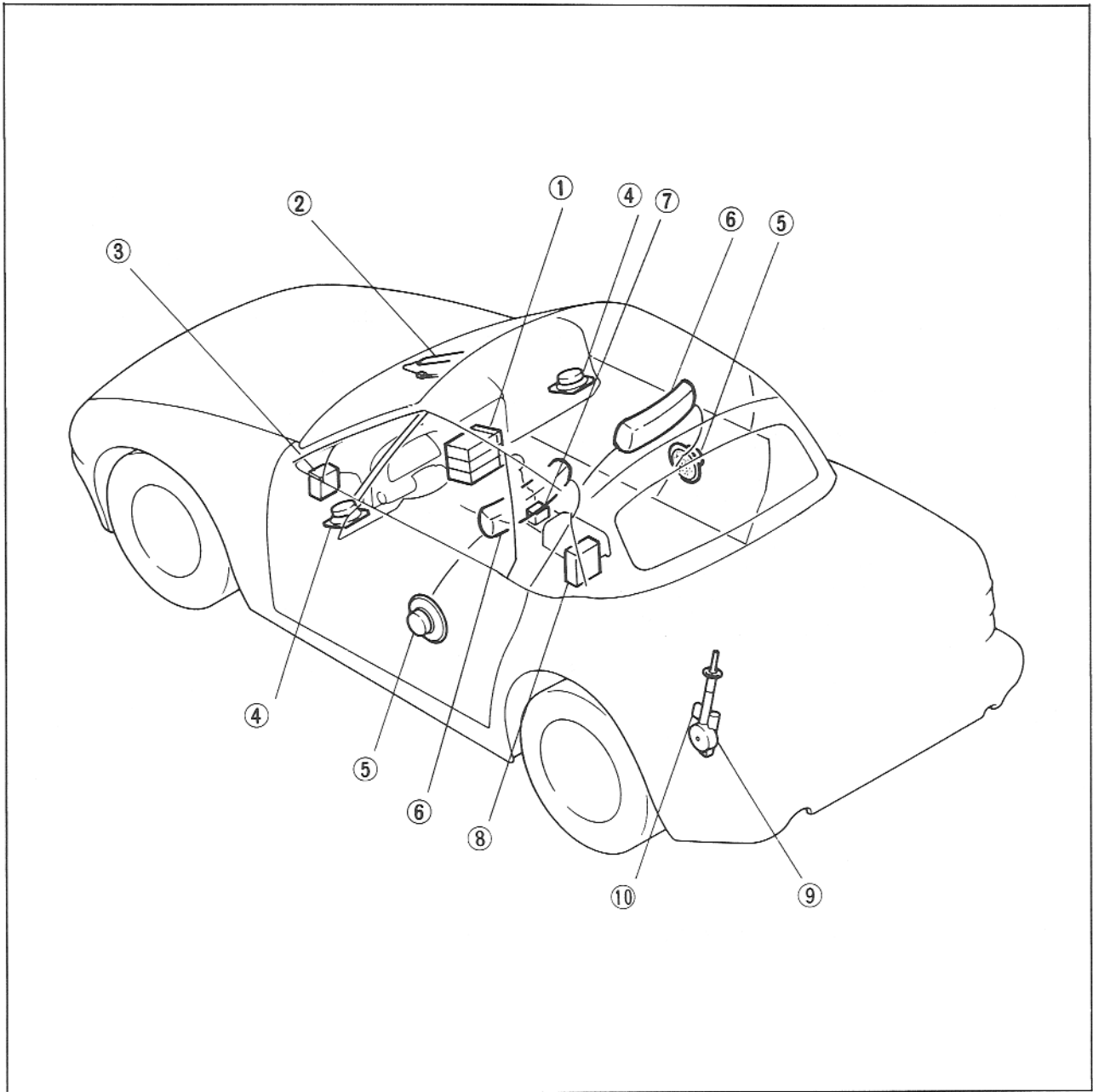


## STRUCTURAL VIEW



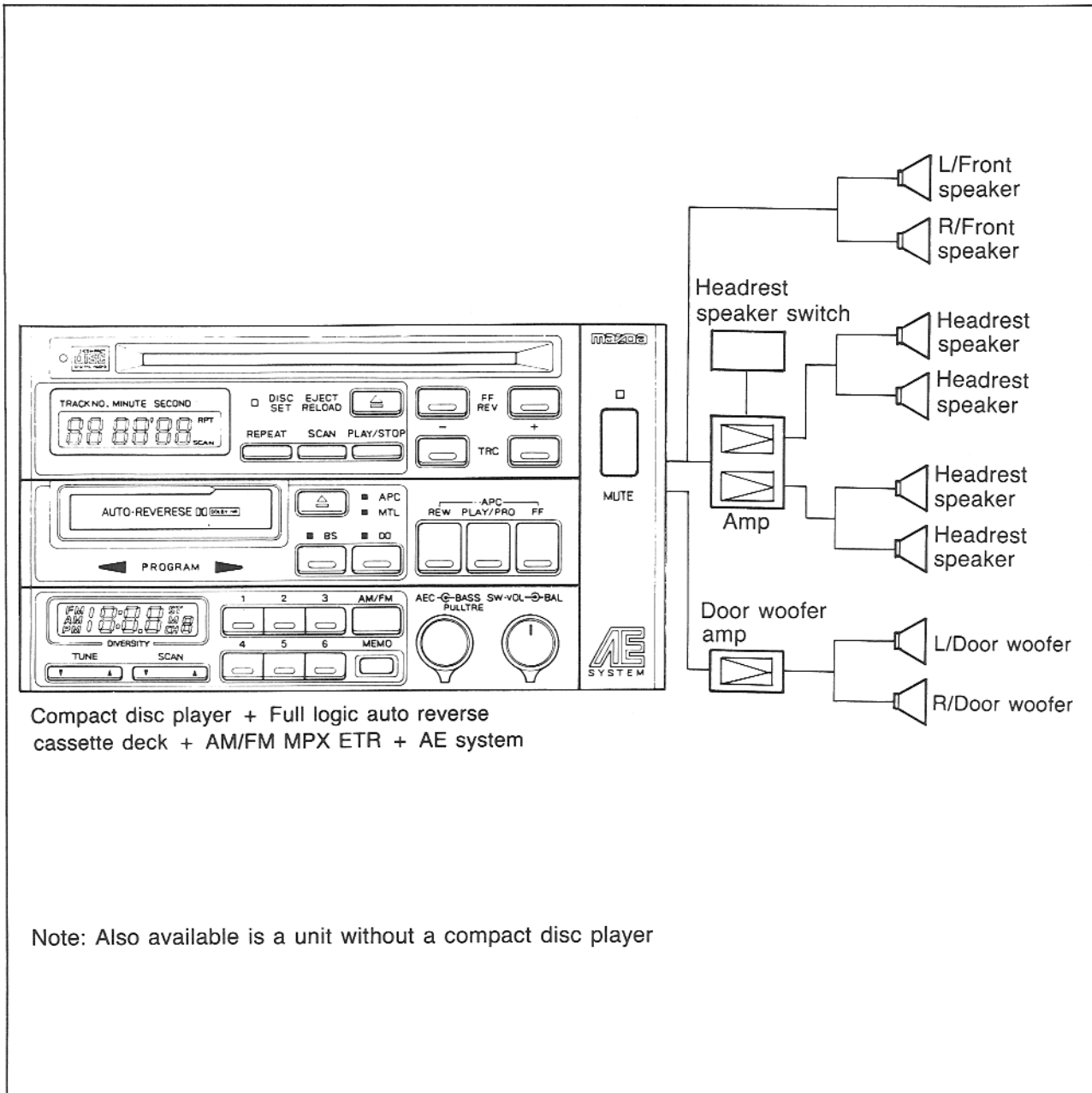
87U15X-059

- 1. Compact disc player  
Full logic auto reverse cassette deck  
AM/FM MPX ETR  
Acoustic Equilibration (AE) system
- 2. Front windshield antenna
- 3. Door woofer amplifier
- 4. Front speakers

- 5. Door woofer speakers
- 6. Headrest speaker
- 7. Headrest speaker switch
- 8. Headrest speaker AMP
- 9. Power antenna
- 10. Power antenna relay

# 15 AUDIO SYSTEM

## OUTLINE OF AUDIO



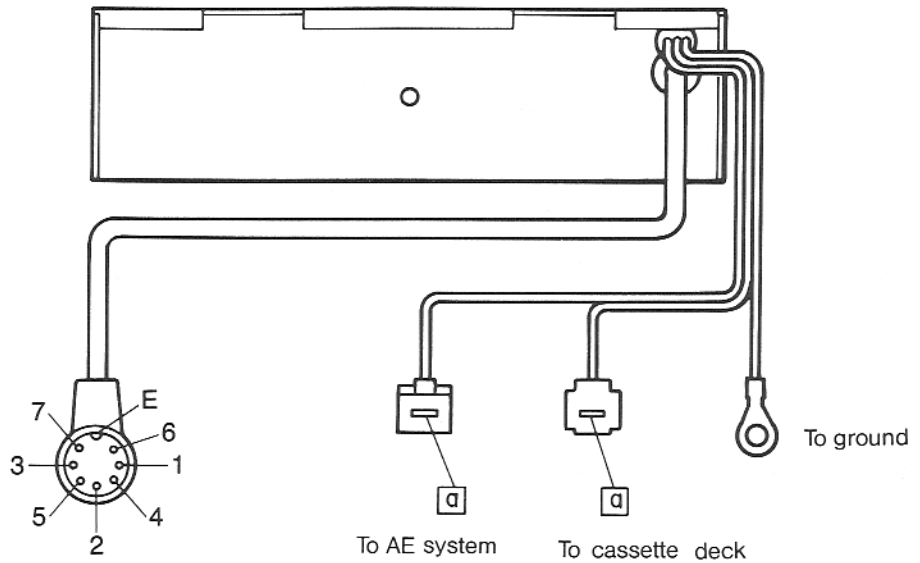
77U15X-121

CONNECTOR OF AUDIO COMPONENT

COMPACT DISC PLAYER

To AE system

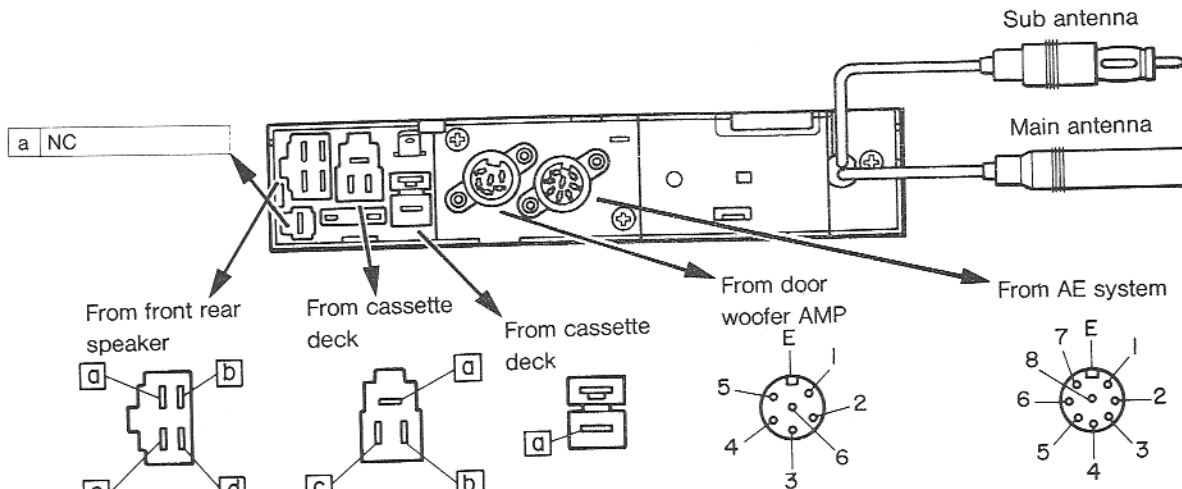
|   |               |
|---|---------------|
| 1 | AUX + B       |
| 2 | Input-L ⊕     |
| 3 | Ground        |
| 4 | NC            |
| 5 | Input-R ⊕     |
| 6 | NC            |
| 7 | Illumination  |
| E | Shield ground |



|   |               |         |
|---|---------------|---------|
| a | ⊕ 13.2V (ACC) | Back-up |
|---|---------------|---------|

# 15 AUDIO SYSTEM

## AM/FM MULTIPLEX RADIO (ETR)



|   |             |
|---|-------------|
| a | Speaker-L ⊕ |
| b | Speaker-L ⊖ |
| c | Speaker-R ⊕ |
| d | Speaker-R ⊖ |

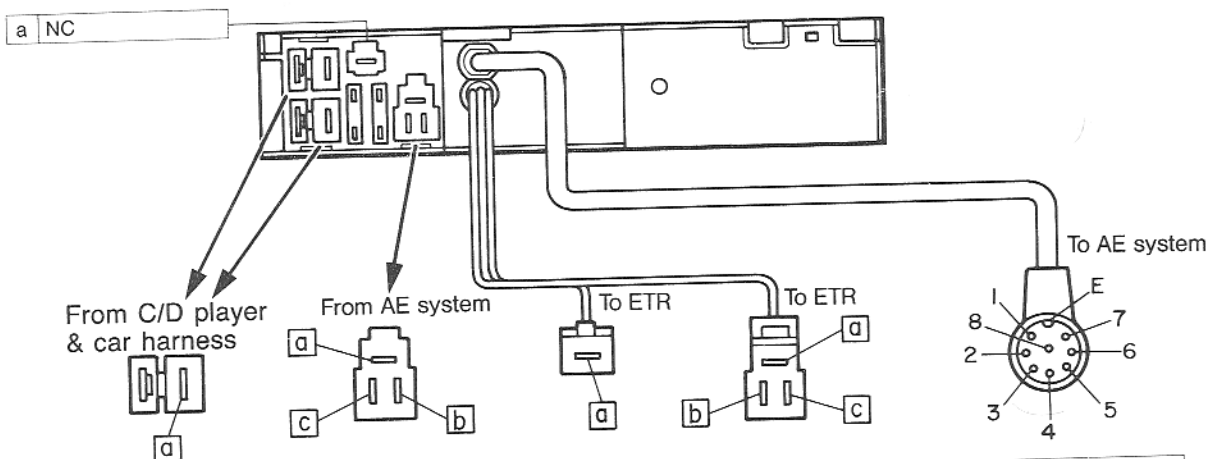
|   |   |
|---|---|
| a | Antenna relay (Grounded when radio is on) |
| b | Illumination                              |
| c | ⊕ 13.2V (ACC)                             |

|   |         |
|---|---------|
| a | Back-up |
|---|---------|

|   |               |
|---|---------------|
| 1 | Output-R ⊕    |
| 2 | ⊕ 13.2V       |
| 3 | Output-L ⊕    |
| 4 | Output-R ⊖    |
| 5 | Output-L ⊖    |
| 6 | Ground        |
| E | Shield ground |

|   |               |
|---|---------------|
| 1 | Output-L ⊕    |
| 2 | Input-L ⊕     |
| 3 | ⊕ 13.2V       |
| 4 | Illumination  |
| 5 | Ground        |
| 6 | Input-R ⊕     |
| 7 | Output-R ⊕    |
| 8 | NC            |
| E | Shield ground |

## FULL LOGIC CONTROL CASSETTE DECK



|   |         |
|---|---------|
| a | Back-up |
|---|---------|

|   |   |
|---|---|
| a | Antenna relay (Grounded when radio is on) |
| b | Illumination                              |
| c | ⊕ 13.2V (ACC)                             |

|   |         |
|---|---------|
| a | Back-up |
|---|---------|

|   |   |
|---|---|
| a | Antenna relay (Grounded when radio is on) |
| b | Illumination                              |
| c | ⊕ 13.2V (ACC)                             |

|   |               |
|---|---------------|
| 1 | NC            |
| 2 | Output-L ⊕    |
| 3 | SWD ⊕ B       |
| 4 | NC            |
| 5 | Ground        |
| 6 | Output-R ⊕    |
| 7 | NC            |
| 8 | NC            |
| E | Shield ground |

## AE SYSTEM

